

$$y = x^2 + 8x + 16$$

$$, x = 0 \quad y =$$

$$y = 0^2 + 8 \cdot 0 + 16 = 16 ,$$

$$(0, 16)$$

$$(0, 16) \quad y = \quad :$$

$$. y = x^2 + 8x + 16$$

$$, \quad , y = 0 \quad x =$$

$$0 = x^2 + 8x + 16$$

$$x_{1,2} = \frac{-8 \pm 0}{2}$$

$$x = \frac{-8}{2} = -4$$

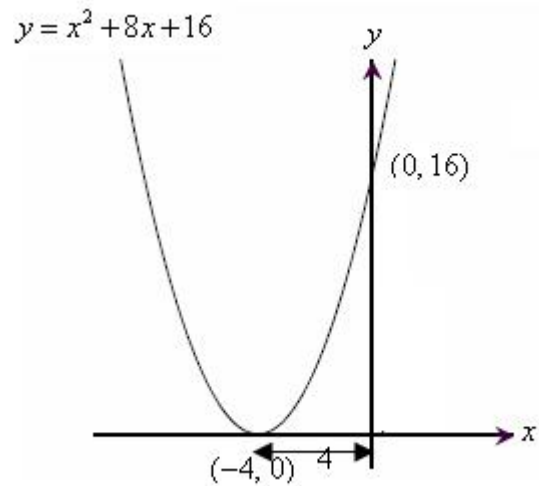
$$(-4, 0)$$

$$. (-4, 0) \quad x = \quad :$$

$$a = 1 > 0 ,$$

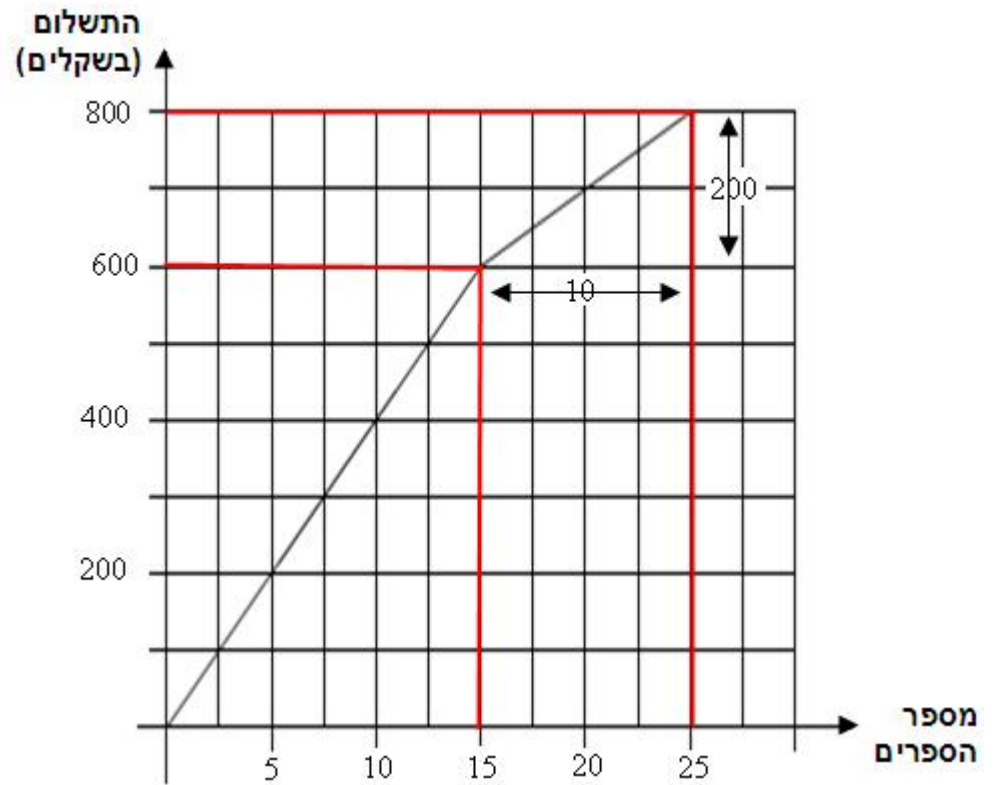
$$y = x^2 + 8x + 16$$

()



$$0 - (-4) = \quad 4$$

$$. \quad 4 \quad :$$



$$\cdot \quad 800 \quad \quad \quad 25 \quad \quad \cdot$$

$$\cdot \quad \quad \quad 800 : \quad \quad \cdot$$

$$\cdot \quad 600 \quad \quad \quad 15 \quad \quad \cdot$$

$$\frac{600}{15} = 40$$

$$\cdot \quad 40 : \quad \quad \quad :$$

$$\cdot (800 - 600 = 200) \quad 200 \quad \quad \quad (25 - 15 = 10) \quad 10 \quad \cdot$$

$$\frac{200}{10} = 20$$

$$\cdot \quad 20 \quad \quad \quad :$$

$$800 \quad \quad \quad 25 \quad \quad \cdot$$

$$\frac{800}{25} = 32$$

$$\cdot \quad \quad \quad 32 \quad \quad \quad :$$

$$M = 2c(a + b)$$

$$c, \quad b, \quad a$$

$$b - a, M, \quad c$$

$$M = 2c(a + b) \quad / : 2(a + b)$$

$$\boxed{C = \frac{M}{2(a + b)}}$$

$$C = \frac{M}{2(a + b)} :$$

$$M = " 33, b = " 5, a = " 6$$

$$C = \frac{M}{2(a + b)}$$

$$C = \frac{33}{2(6 + 5)}$$

$$C = \frac{33}{2 \cdot 11}$$

$$C = \frac{33}{22}$$

$$\boxed{C = 1.5}$$

$$.C = " 1.5 :$$

:

$$M = 2c(a + b)$$

$$33 = 2c(6 + 5)$$

$$33 = 2c \cdot 11$$

$$33 = 22c \quad / : 22$$

$$c = 1.5$$

$$.a \quad M \quad . a = b = c$$

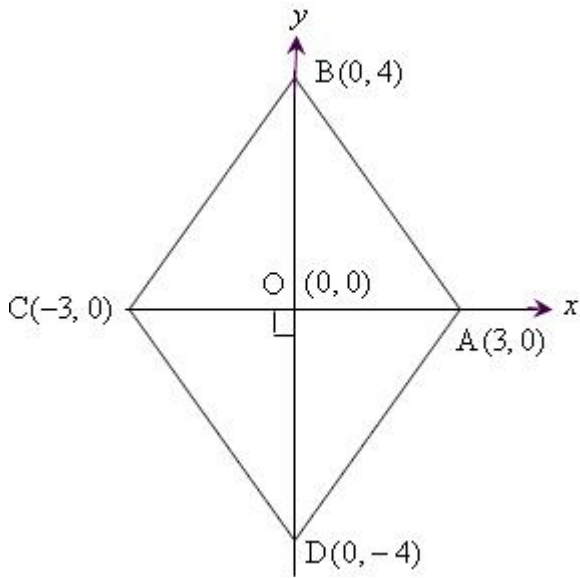
$$M = 2c(a + b)$$

$$M = 2a(a + a)$$

$$M = 2a \cdot 2a$$

$$\boxed{M = 4a^2}$$

$$M = 4a^2 :$$



$$AB = \sqrt{(3-0)^2 + (0-4)^2} = \sqrt{25} = 5$$

$$AD = \sqrt{(3-0)^2 + (0-(-4))^2} = \sqrt{25} = 5$$

$$CD = \sqrt{(-3-0)^2 + (0-(-4))^2} = \sqrt{25} = 5$$

$$CB = \sqrt{(-3-0)^2 + (0-4)^2} = \sqrt{25} = 5$$

.BDC

BD

OC ,

$$BD = 4 - (-4) = 8 , CO = 0 - (-3) = 3$$

$$S_{\triangle BDC} = \frac{BD \cdot OC}{2} = \frac{8 \cdot 3}{2} = 12$$

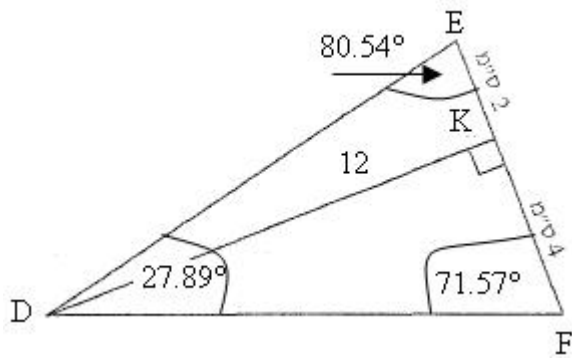
" 12 BDC :

BDA () BDC .

$$2 \cdot 12 = 24 :$$

(, -)

" 24 :



DK

. " 36 DEF

$$S = \frac{ah}{2} :$$

$$S = \frac{EF \cdot DK}{2}$$

$$36 = \frac{6 \cdot DK}{2}$$

$$36 = 3 \cdot DK$$

$$\boxed{DK = 12}$$

" 12 DK :

KFD

 $\triangle DKF$

$$\tan \sphericalangle KFD = \frac{DK}{KF}$$

$$\tan \sphericalangle KFD = \frac{12}{4}$$

$$\boxed{\sphericalangle KFD = 71.57^\circ}$$

KED

 $\triangle DKE$

$$\tan \sphericalangle KED = \frac{DK}{KE}$$

$$\tan \sphericalangle KED = \frac{12}{2}$$

$$\boxed{\sphericalangle KED = 80.54^\circ}$$

.180° DEF

$$\sphericalangle D = 180^\circ - (80.54^\circ + 71.57^\circ) = 27.89^\circ :$$

$$\sphericalangle D = 27.89^\circ , \sphericalangle E = 80.54^\circ \sphericalangle F = 71.57^\circ : DEF :$$

$$\left(\frac{x+170}{2} - \frac{x}{2} \right)$$

$$\frac{x+170}{2}$$

$$- x :$$

$$\frac{x+172}{2} = 170 \quad / \cdot 2$$

$$x+172 = 340 \quad / -172$$

$$x = 168$$

$$\frac{x+168}{2} = 168$$

$$\frac{x+168}{2} = 168$$